

Overview

Legend from GE Security sets a new standard for integrated dome cameras. SilkTrak™ direct drive technology eliminates roughness common to other domes. Programming for presets, tours, macros, privacy masks, alarms, and more is completed via easy-to-use menus.

SilkTrak™ direct drive eliminates gears and belts for improved performance and reliability. The closed-loop positioning technology provides preset positioning accuracy of ± 0.015 degrees.

A choice of 36x or 26x optical zoom camera with 12x digital zoom gives this new dome 432x or 312x total zoom. Optically superior injection-molded dome bubbles insure crystal clear images, even at the highest zoom magnifications.

With 184-degree tilt travel for above-horizon viewing and electronic image flip, the camera can track activity directly underneath it without having to spin on its pan axis. Each of the 127 preset positions stores the pan, tilt, and zoom position along with a complete list of camera settings including backlight compensation, iris, and shutter settings.

Sixteen shadow tours can store a total of 20 minutes of pan, tilt, and zoom operation. Program up to 32 macros, each with up to 16 steps that can be set for presets, tours, relay outputs, or links to other macros. Eight alarm inputs can be assigned to presets, tours, or macros and can control either or both relay outputs.

Of the 24 available privacy masks, eight can be displayed simultaneously, allowing portions of an image to be covered. This prevents operators from looking in on neighboring or sensitive areas. Spherical privacy masking uses a 3D representation of the camera view and eliminates mask drift caused by camera tilt angle.

Separate passcode levels prevent unauthorized personnel from changing programming settings while still allowing administrative access.

Housing options are available for indoor and outdoor applications. Exterior housings are rated for weather resistance.

Standard Features

- SilkTrak™ direct drive for smooth and precise PTZ movement
- Comprehensive programming choices via graphical menus provide flexibility for all applications
- Housing options available for indoor and outdoor applications— all exterior housings rated for weather resistance
- Choice of 36x or 26x day/night camera with removable IR cut filter
- Optional 26x day/night camera with image stabilization
- Spherical privacy masking
- Single hand insertion and removal
- Built-in coax and UTP video connections

Legend

next-generation
PTZ dome cameras



Legend Dome Options

Available Housings

- Flush mount ceiling
- Pendant mount
- Pendant mount with heater/fan
- Wall mount
- Wall mount with heater/fan
- Heavy duty
- Heavy duty with heater/fan
- Rugged pendant
- Rugged pendant with heater/fan
- Plenum-rated flush mount

Bubble Specifications

Choose from four different acrylic bubbles or two polycarbonate bubbles, based on how you wish to balance discreet camera position and available light. Polycarbonate bubbles work with heavy duty and rugged pendant housings only.

Bubble	Light loss
Clear acrylic	none
Smoke acrylic	1/2 f-stop
Chrome mirrored acrylic	2 f-stop
Gold mirrored acrylic	2 f-stop
Clear polycarbonate	none
Smoke polycarbonate	1/2 f-stop

General Specifications

- Drive type: SilkTrak™ Direct Drive
- Pan travel: 360° continuous
- Tilt travel: 184°
- Manual pan speed: 0.01 to 120°/sec
- Manual tilt speed: 0.01 to 120°/sec
- Max. pan/tilt speed: 400°/sec
- Presets: 127 with title
- Shadow tours: 16 with 20 min. total duration
- Macros: 32 with 16 steps each
- Alarm inputs: 8 (NO/NC programmable)
- Outputs: 2 Form C relays, 0.5 A @ 30 VDC
- Protocols: GE RS-422, GE Impac RS-485, GE ASCII RS-422, Pelco P & D RS-422, Honeywell Ultrak RS-422, Tyco AD RS-422
- Operating temperature, without heater/blower: 32 to 122°F (0 to 50°C)
- Operating temperature, with heater/blower: -40 to 122°F (-40 to 50°C)

Flush mount ceiling and plenum-rated flush mount

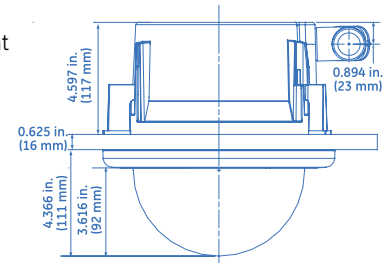
The indoor flush-mount housing is designed for in-ceiling applications. A T-bar support kit is included. A flush-mount housing for plenum-rated applications is also available.

Electrical

- Operating voltage: 24 VAC +/- 4 VAC
- Power: 30 W startup; 16 W running

Mechanical

- Environmental enclosure: Rated IP50
- Dimensions: 9.5 in. dia. x 9.6 in. high (241 x 243 mm)
- Weight (housing, PTZ): 6 lb., 8.5 oz. (2.96 kg)
- Construction: Gray ABS plastic



Pendant mount and pendant mount w/ heater & fan

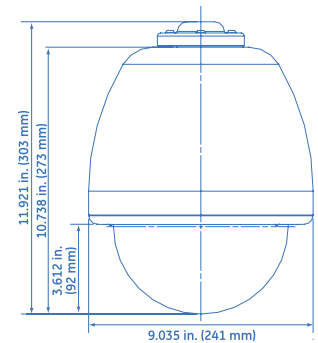
The weatherproof pendant-mount housing can be used for indoor or outdoor applications. Both the pendant mount and pendant mount with heater and fan are rated IP66. With the heater/fan option, the housing can be used in temperatures to -40°F (-40°C).

Electrical

- Operating voltage: 24 VAC +/- 4 VAC
- Power: 30 W startup; 16 W running
- Power, with heater: 60 W startup; 36 W running

Mechanical

- Environmental enclosure: Rated IP66
- Dimensions: 9.5 in. dia. x 11.9 in. high (241 x 303 mm)
- Weight (housing, htr/fan, PTZ): 6 lb., 8.5 oz. (2.96 kg)
- Construction: Gray ABS plastic



Wall mount and wall mount w/ heater & fan

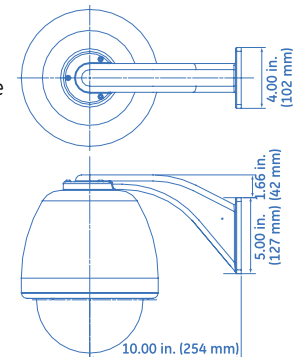
The weatherproof wall-mount housing can be used for indoor or outdoor applications. The wall arm is constructed of cast aluminum. Both the wall mount and wall mount with heater and fan are rated IP66. With the heater/fan option, the housing can be used in temperatures to -40°F (-40°C).

Electrical

- Operating voltage: 24 VAC +/- 4 VAC
- Power: 30 W startup; 16 W running
- Power, with heater: 60 W startup; 36 W running

Mechanical

- Environmental enclosure: Rated IP66
- Dimensions: 9.5 in. dia. x 9.6 in. high (241 x 243 mm)
- Weight (housing, htr/fan, PTZ): 8 lb., 8.5 oz. (3.87 kg)
- Construction: Gray ABS plastic



Heavy duty and heavy duty w/ heater & fan

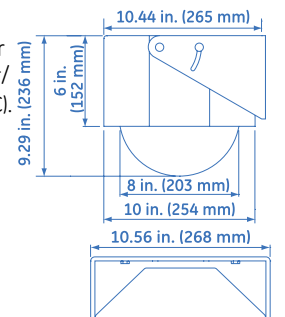
The weatherproof heavy duty housing is designed to hold up under tough outdoor use. Both the heavy duty and heavy duty with heater and fan come with adjustable wall mount brackets. With the heater/fan option, the housing can be used in temperatures to -13°F (-25°C).

Electrical

- Operating voltage: 24 VAC +/- 4 VAC
- Power: 30 W startup; 16 W running
- Power, with heater: 100 W startup; 66 W running

Mechanical

- Dimensions: 10.56 in. wide x 9.29 in. high (268 x 236 mm)
- Weight (housing, htr/fan, PTZ): 13 lb., 8 oz. (6.12 kg)
- Construction: Cast aluminum



Rugged pendant and rugged pendant w/ heater & fan

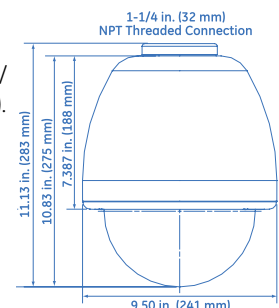
The weatherproof rugged pendant housing is for outdoor applications that require tamper resistance. Both the rugged pendant and rugged pendant with heater and fan are rated IP66. With the heater/fan option, the housing can be used in temperatures to -40°F (-40°C).

Electrical

- Operating voltage: 24 VAC +/- 4 VAC
- Power: 30 W startup; 16 W running
- Power, with heater: 100 W startup; 66 W running

Mechanical

- Environmental enclosure: Rated IP66
- Dimensions: 9.5 in. dia. x 11.1 in. high (241 x 283 mm)
- Weight (housing, heater/fan, and PTZ): 12 lb., 8.5 oz. (5.68 kg)
- Construction: Cast aluminum



Camera Specifications

Legend Camera Modules	36x day/night	26x day/night	26x day/night with image stabilization
Sensor	1/4-in. CCD	1/4-in. CCD	1/4-in. CCD
Zoom	Optical 36x; Digital 12x	Optical 26x; Digital 12x	Optical 26x; Digital 12x
Resolution	530 TVL NTSC 530 TVL PAL	470 TVL NTSC 460 TVL PAL	470 TVL NTSC 460 TVL PAL
Synchronization	Internal/line lock	Internal/line lock	Internal/line lock
Lens	F=3.4 mm (wide) to 122.4 mm (tele); F1.6 to F4.5	F=3.5 mm (wide) to 91 mm (tele); F1.6 to F3.8	F=3.5 mm (wide) to 91 mm (tele); F1.6 to F3.8
Angle of View (H)	57.8° (wide) to 1.7° (tele)	54.2° (wide) to 2.2° (tele)	42.0° (wide) to 1.6° (tele)
Sensitivity	1.4 lux at 1/60 sec NTSC or 1/50 PAL; 0.1 lux at 1/4 sec NTSC or 1/3 sec PAL	1.0 lux at 1/60 sec NTSC or 1/50 PAL; 0.07 lux at 1/4 sec NTSC or 1/3 sec PAL	2.0 lux at 1/60 sec NTSC or 1/50 PAL; 0.14 lux at 1/4 sec NTSC or 1/3 sec PAL
Sensitivity, ICR-on	0.01 lux at 1/4 sec NTSC or 1/3 sec PAL	0.15 lux at 1/60 sec NTSC or 1/50 PAL; 0.01 lux at 1/4 sec NTSC or 1/3 sec PAL	0.7 lux at 1/60 sec NTSC or 1/50 PAL; 0.05 lux at 1/4 sec NTSC or 1/3 sec PAL
Electronic Shutter Speed	1/4 to 1/10,000 sec, 20 steps, NTSC; 1/3 to 1/10,000 sec, 20 steps, PAL	1/1 to 1/10,000 sec, 14 steps, NTSC; 1/1 to 1/10,000 sec, 14 steps, PAL	1/1 to 1/10,000 sec, 14 steps, NTSC; 1/1 to 1/10,000 sec, 14 steps, PAL
Video Output	1.0 V p-p	1.0 V p-p	1.0 V p-p

Ordering Information

First, choose the Legend housing, bubble, and camera that you want.

GEA---

Housing

- F** Flush mount
- FP** Plenum rated flush mount
- H** Pendant mount
- HE** Pendant mount with heater and fan
- C** Wall mount
- CE** Wall mount with heater and fan
- D** Heavy duty
- DE** Heavy duty with heater and fan
- R** Rugged pendant
- RE** Rugged pendant with heater and fan

Dome Bubble

- 3** Clear acrylic
- 4** Smoke acrylic
- 6** Chrome mirrored acrylic
- 7** Gold mirrored acrylic
- 8** Clear polycarbonate†
- 9** Smoke polycarbonate†

†Available for F, FP, D, DE, R, and RE housing options

PTZ Camera Assembly

- D26N** 26X day/night camera, NTSC
- D26P** 26X day/night camera, PAL
- D26SN** 26X day/night camera with image stabilization, NTSC
- D26SP** 26X day/night camera with image stabilization, PAL
- D36N** 36X day/night camera, NTSC
- D36P** 36X day/night camera, PAL

Then, choose mounting accessories from the list below.

GEA-102

Cast-aluminum wall-mount arm

- Weight: 2.0 lb. (0.91 kg)
- Material: Aluminum
- Finish: Gray



GEA-104

Parapeet swing-arm mount

- Weight: 7.75 lb. (3.52 kg)
- Material: Aluminum
- Finish: Gray powder coat

GEA-105

Corner-mount adapter

- Weight: 1.9 lb. (0.86 kg)
- Material: Aluminum
- Finish: Gray powder coat

GEA-106

Pole-mount adapter

- Weight: 14.4 oz. (408 g)
- Material: Aluminum
- Finish: Gray powder coat

GEA-107

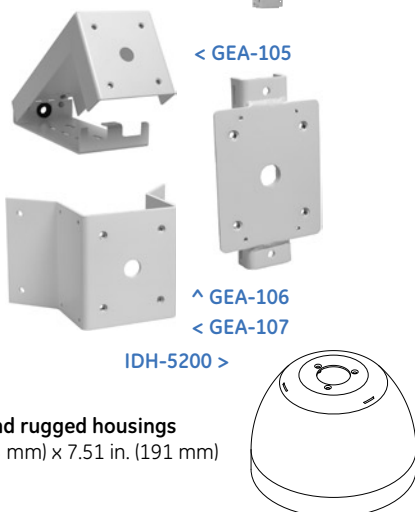
Roof-mount adapter

- Weight: 1.2 lb. (0.54 kg)
- Material: Aluminum
- Finish: Gray powder coat

IDH-5200

Sun-shield for standard and rugged housings

- Dimensions: 10.75 in. (273 mm) x 7.51 in. (191 mm)
- Material: ABS plastic
- Finish: Gray powder coat



GEA-113

Ceiling panel

- Weight: 3.2 oz. (91 g)
- Material: Steel
- Finish: White enamel

GEA-114

T-bar support kit

- Weight: 6.4 oz. (181 g)
- Material: Steel
- Finish: Galvanized

Parapeet-capping brackets

- Material: 0.25 in. aluminum
- Finish: Gray powder coat

GEA-108: Corner, narrow

- 6 to 12 in. (152 to 305 mm)
- Weight: 7 lb. (3.18 kg)

GEA-109: Corner, wide

- 12 to 17 in. (305 to 432 mm)
- Weight: 8 lb. (3.63 kg)

GEA-110: Straight, narrow

- 6 to 12 in. (152 to 305 mm)
- Weight: 14 lb. (6.4 kg)

GEA-111: Straight, wide

- 12 to 17 in. (305 to 432 mm)
- Weight: 15 lb. (6.8 kg)



GE Security

North America
T (503) 885-5700
T 888-GE-SECURITY
888-(437-3287)
E info@gesecurity.com

Asia
T 852-2907-8108
F 852-2142-5063

Australia
T 61-3-9259-4700
F 61-3-9259-4799

Europe
T 32-2-725-11-20
F 32-2-721-40-47

Latin America
T 305-593-4301
F 305-593-4300

www.gesecurity.com

Specifications subject to change without notice.

©2007 General Electric Company
All Rights Reserved



imagination at work