

www.GESecurity.com

1035 Series Surface Mount Magnetic Contacts

Self-adhesive surface mount contacts with wire leads

Overview

The GE Security 1035 Series magnetic contacts save installation time through the use of a specially formulated 3M® adhesive tape. The tape, which establishes a permanent bond between the contact and the surface, can be repositioned during the first five minutes.

A low profile and small footprint combine with reliable GE technology to make the 1035 Series the perfect magnetic contact for those situations where drilling holes is impractical. Use the contacts to protect doors and windows in these locations where drilling holes is undesirable, such as thin-frame windows or on sliding glass doors.



Standard Features

- **Attractive, low-profile design**
- **Quick mounting; no screws**
- **UL and ULC Listed**



1035 Series Surface Mount Magnetic Contacts

Self-adhesive surface mount contacts with wire leads

Specifications

Electrical

- Voltage: 100 VAC/DC max.
- Current: 0.5 A max.
- Power: 7.5 W max.

Features

- Loop type: Closed
- Electrical configuration: Normally open
- Lead type: 1 ft. #22 wire

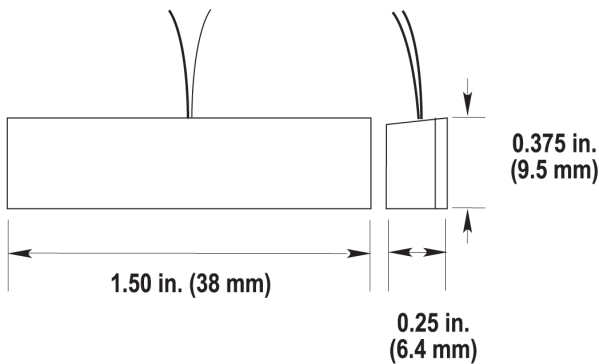
Physical

- Dimensions (LxWxH): 1.5 x 0.375 x 0.5 in. (38 x 9.5 x 13 mm)
- Gap distance, 1035: 5/8 in.
- Gap distance, 1035W: 1 in.

Regulatory

- C-UL-US

Related Diagram



Ordering Information

1035-N	Surface mount miniature self-adhesive magnetic contact with wire leads, 5/8 in. gap size, closed loop, white
1035W-N	Surface mount miniature self-adhesive magnetic contact with wire leads, wide gap, 1 in. gap size, closed loop, white
1927-N	Magnet for 1035 series, white



GE Security

503-885-5700
888-GE-SECURITY
(437-3287)
faxback 800-483-2495
email info@gesecurity.com
www.gesecurity.com

Asia
tel 852-2907-8108
fax 852-2142-5063
Australia
tel +61-3-9259-4700
fax +61-3-9259-4799

Europe
tel +44-113-238-1668
fax +44-113-253-8121
Latin America
tel 305-267-4301
fax 305-267-4300