



Product Data Sheet

TVD-DOME-HR

TruVision™ Dome, 500 TVL

The TruVision dome camera provides outstanding video surveillance performance while offering a cost effective security solution. Equipped with a varifocal lens and engineered for superior resolution, this camera delivers crisp, detailed images while being flexible enough to meet the needs of most applications.

Small and lightweight, the TruVision plastic dome camera represents a strong value for users looking for reliable security in smaller venues. With 500TVL color and a 2.6mm–6.0mm autoiris lens, this TruVision dome is well suited to secure a variety of applications including quick-service restaurants, retail and smallbusiness environments.



Standard Features

- Superior image performance
- 500 TVL color
- Flexible form factor
- Varifocal auto-iris lens
- 0.2 lux @ F2.0
- 2.6mm to 6.0mm AI lens
- 12VDC or 24VAC power input

TVD-DOME-HR

TruVision™ Dome, 500 TVL

Specifications

Signal system

- NTSC/EIA standard or PAL/CCIR

Image sensor

- 1/3 in. interline transfer Sony CCD

Picture elements

- 811 H x 508 V

Scanning system

- 525 lines, 60 fields (NTSC/EIA); optional 625 lines, 50 fields (PAL/CCIR)-2:1 interface

Signal-to-noise ratio

- > 48 dB

Resolution

- 500 TVL

Sensitivity

- 0.2 lux @ f2.0

White balance

- Automatic

AGC

- ON

Synchronization

- Internal Sync

Video output

- 1.0 V p-p 75 ohm unbalanced

Electronic shutter

- AES 1/50 (1/60 sec) to 1/100,000 sec

Power supply

- 12 VDC (500 mA) or 24 VAC (500 mA)

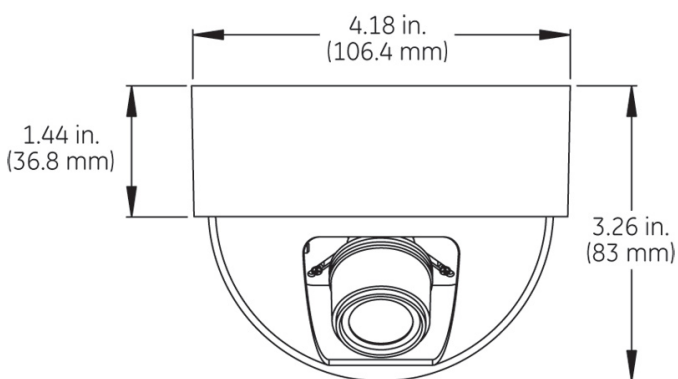
Power consumption

- < 3 W (max); 190 mA/195 mA (max), 12 VDC/24 VAC

Environmental

- Weight: 225 g/370 g (N.W./G.W.)
- Dimensions: 4.18 x 3.26 in. (106.4 x 83 mm)
- Operating temperature: -10°C to 50°C

Diagram



Ordering Information

TVD-DOME-HR-P

TruVision™ Dome, 500 TVL Color, PAL, 2.6 mm-6.0 mm AI lens, 12 VDC or 24 VAC

TVD-DOME-HR

TruVision™ Dome, 500 TVL Color, NTSC, 2.6 mm-6.0 mm AI lens, 12 VDC or 24 VAC

