

Overview

CyberDome™ II updates the best-selling integrated PTZ camera from GE Security with enhanced features. The dome works with multiple vendor systems and can easily be installed in existing systems. Available housings are more durable and permit installation of the dome in a range of applications. Choose from compatible camera modules that include day/night and wide dynamic range functionality.

Five cameras—a color 22x, day/night 18x, day/night 23x with wide dynamic range, day/night 26x and day/night 36x with wide dynamic range—offer several options for different environments. The WDR option is ideal for use in high-contrast lighting conditions. Digital zoom extends the range of the cameras beyond standard optical zoom lenses. The addition of a shroud now conceals camera position.

Cameras can be mounted into newly improved housings featuring alarms and relays for direct wiring to nearby sensors. In addition, firmware updates are now capable through the same interface as the PTZ. Indoor and outdoor housings are designed to hold up in a variety of environmental conditions, with standard outdoor housings achieving an IP66 environmental rating and can operate to -40 degrees F/C with the optional heater.

A special day/night light sensor in the dome controls day/night mode and has multiple thresholds. With a choice to use either the external sensor or the camera sensor, users can select the one that provides best settings for a camera's position. An auto slow shutter feature on the day/night cameras slows down shutter speed for better images in dark areas.

CyberDome II allows the user to preset up to 128 positions, repeatable to within ± 0.1 degree. Set areas, privacy masks, and preset and Shadow Tours for maximum surveillance.

Variable-speed pan/tilt lets users move the camera through surveillance areas at any of 32 speeds, with a maximum pan/tilt of 340 degrees per second.

The Quick Spin feature lets the camera spin automatically when the bottom of tilt travel is reached. Track motion directly under a camera without losing the picture.

Set specific operations when the camera is powered on or when no external command is received in a defined period of time. Operations include calling a preset position or initiating a preset tour or a Shadow Tour.

Standard Features

- Comprehensive programming choices with advanced options to meet almost any application
- CyberDome Standard (CYB) models include 4 alarm inputs and 2 relay outputs
- Shroud offers better concealment of camera position
- 128 preset positions, 4 preset tours, and 4 Shadow Tours
- Control day/night settings through the camera module or a unit sensor to get best results
- Choose from many options in camera module, housing and accessories
- Quick Spin feature spins camera 180 degrees automatically when bottom of tilt travel is reached
- Variable-speed pan/tilt with smoother pan operation
- Site-tied memory allows camera replacement without reprogramming

CyberDome™ II

integrated PTZ dome camera



CyberDome II Options

Available Housings

- Flush mount ceiling
- Plenum-rated flush mount
- Pendant mount
- Pendant mount with heater
- Wall mount
- Heavy duty
- Heavy duty with heater
- Rugged pendant
- Rugged pendant with heater
- Pressurized pendant mount with heater

Available Cameras (NTSC or PAL)

- 22x color camera
- 18x day/night camera
- 23x day/night camera with WDR
- 26x day/night camera
- 36x day/night camera with WDR

Bubble Specifications

Choose from four different acrylic bubbles or two polycarbonate bubbles, based on how you wish to balance discreet camera position and available light. Polycarbonate bubbles work with heavy-duty and rugged pendant housings only.

Bubble	Light loss
Clear acrylic	none
Smoke acrylic	1/2 f-stop
Chrome mirrored acrylic	2 f-stop
Gold mirrored acrylic	2 f-stop
Clear polycarbonate	none
Smoke polycarbonate	1/2 f-stop

General Specifications

- Manual pan speed: 0.5 to 200°/sec
- Manual tilt speed: 0.5 to 120°/sec
- Max. pan/tilt speed: 340°/sec
- Presets: 128 with 24-character title
- Preset tours: 4 tours with 64 presets each
- Shadow tours: 4 with 5 min. each
- Protocols: Digiplex RS422, Impac RS485, ASCII RS422, Pelco D, Pelco P, Pelco Coaxitron, Ultrak, AD 4800, AD Manchester, BBV, Bosch Biphase, Bosch RS232, KD6, Panasonic, VCL, Vicon
- Operating temperature, without heater: 32 to 122°F (0 to 50°C)
- Operating temperature, with heater: -40 to 122°F (-40 to 50°C)
- Regulatory: FCC, CE, C-Tick, UL, RoHS

Flush mount ceiling and plenum-rated flush mount

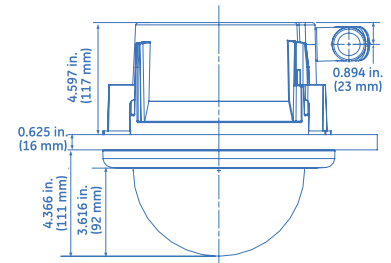
The indoor flush-mount housing is designed for in-ceiling applications. A T-bar support kit is included. A flush-mount housing for plenum-rated applications is also available.

Electrical

- Operating voltage: 24 VAC +/- 4 VAC
- Power: 25 W startup; 20 W running

Mechanical

- Environmental enclosure: Rated IP50
- Dimensions: 9.5 in. dia. x 9.6 in. high (241 x 243 mm)
- Weight (housing, PTZ): 6 lb., 8.5 oz. (2.96 kg)
- Construction: Gray ABS plastic



Pendant mount and pendant mount with heater

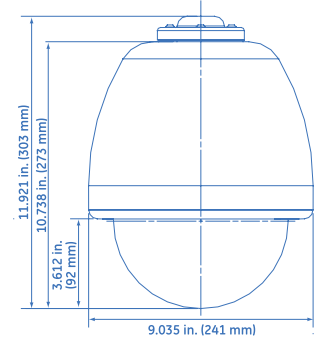
The weatherproof pendant-mount housing can be used for indoor or outdoor applications. Both the pendant mount and pendant mount with heater and fan are rated IP66. With the heater/fan option, the housing can be used in temperatures to -40°F (-40°C).

Electrical

- Operating voltage: 24 VAC +/- 4 VAC
- Power: 25 W startup; 20 W running
- Power, with heater: 93 W startup; 45 W running

Mechanical

- Environmental enclosure: Rated IP66
- Dimensions: 9.5 in. dia. x 11.9 in. high (241 x 303 mm)
- Weight (housing, heater, PTZ): 6 lb., 8.5 oz. (2.96 kg)
- Construction: Gray ABS plastic



Wall mount and wall mount with heater

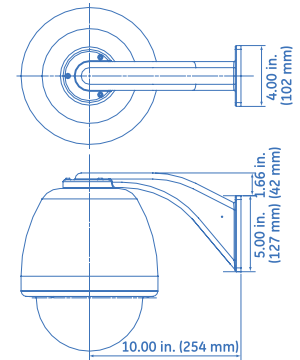
The weatherproof wall-mount housing can be used for indoor or outdoor applications. The wall arm is constructed of cast aluminum. Both the wall mount and wall mount with heater and fan are rated IP66. With the heater option, the housing can be used in temperatures to -40°F (-40°C).

Electrical

- Operating voltage: 24 VAC +/- 4 VAC
- Power: 25 W startup; 20 W running
- Power, with heater: 93 W startup; 45 W running

Mechanical

- Environmental enclosure: Rated IP66
- Dimensions: 9.5 in. dia. x 9.6 in. high (241 x 243 mm)
- Weight (housing, heater, PTZ): 8 lb., 8.5 oz. (3.87 kg)
- Construction: Gray ABS plastic



Heavy duty and heavy duty with heater

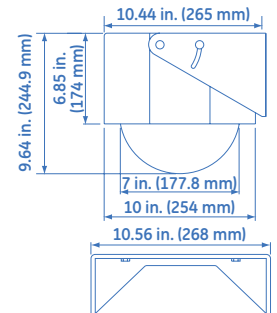
The weatherproof heavy-duty housing is designed to hold up under tough outdoor use. Both the heavy duty and heavy duty with heater and fan come with adjustable wall mount brackets. With the heater option, the housing can be used in temperatures to -13°F (-25°C).

Electrical

- Operating voltage: 24 VAC +/- 4 VAC
- Power: 25 W startup; 20 W running
- Power, with heater: 153 W startup; 66 W running

Mechanical

- Dimensions: 10.56 in. wide x 9.64 in. high (268 x 236 mm)
- Weight (housing, heater, PTZ): 13 lb., 8 oz. (6.12 kg)
- Construction: Cast aluminum



Rugged pendant and rugged pendant with heater

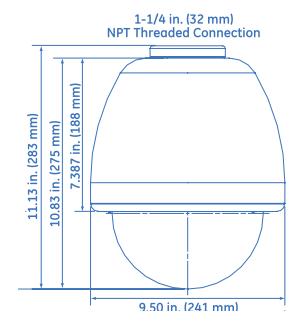
The weatherproof rugged pendant housing is for outdoor applications that require tamper resistance. Both the rugged pendant and rugged pendant with heater and fan are rated IP66. With the heater option, the housing can be used in temperatures to -40°F (-40°C).

Electrical

- Operating voltage: 24 VAC +/- 4 VAC
- Power: 25 W startup; 20 W running
- Power, with heater: 153 W startup; 66 W running

Mechanical

- Environmental enclosure: Rated IP66
- Dimensions: 9.5 in. dia. x 11.1 in. high (241 x 283 mm)
- Weight (housing, heater, and PTZ): 12 lb., 8.5 oz. (5.68 kg)
- Construction: Cast aluminum

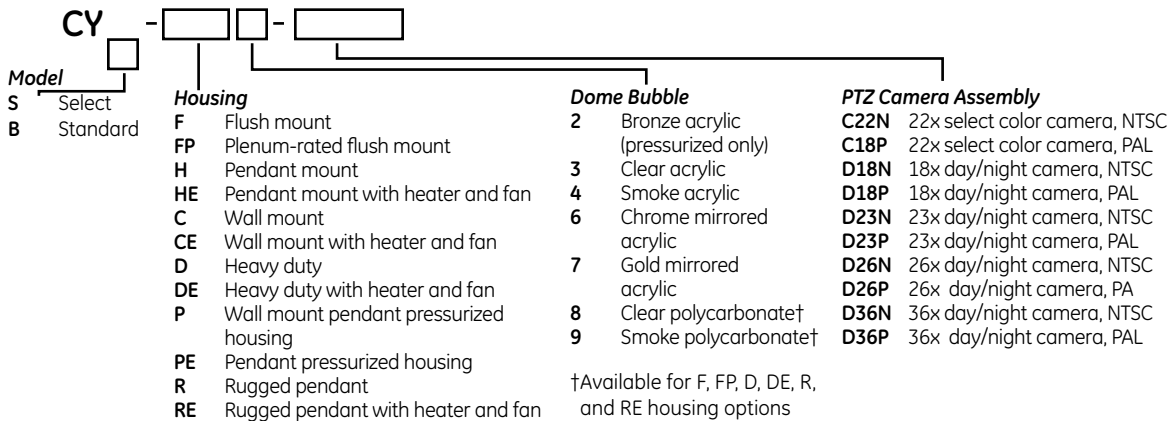


Camera specifications

Modules	22x color	18x day/night	23x day/night with WDR	26x day/night	36x day/night with WDR
Sensor	1/4 in. CCD	1/4 in. CCD	1/4 in. CCD	1/4 in. CCD	1/4 in. CCD
Zoom	Optical 22x; Digital 12x	Optical 18x; Digital 12x	Optical 23x; Digital 12x	Optical 26x; Digital 12x	Optical 36x; Digital 12x
Resolution	470 TVL NTSC, 460 TVL PAL	470 TVL NTSC, 460 TVL PAL	470 TVL NTSC, 460 TVL PAL	470 TVL NTSC, 460 TVL PAL	530 TVL NTSC, 530 TVL PAL
Synchronization	Internal/line lock	Internal/line lock	Internal/line lock	Internal/line lock	Internal/line lock
Lens	F=4mm (wide) to 64mm (tele); F1.6 to F3.8	F=4.1mm (wide) to 73.8mm (tele); F1.4 to F3.0	F=3.6mm (wide) to 82.8mm (tele); F1.6 to F3.7	F=3.5mm (wide) to 91mm (tele); F1.6 to F3.8	F=3.4mm (wide) to 122.4mm (tele); F1.6 to F4.5
Angle of View (H)	47.3° (wide) to 2.2° (tele)	48° (wide) to 2.8° (tele)	54° (wide) to 2.5° (tele)	54.2° (wide) to 2.2° (tele)	57.8° (wide) to 1.7° (tele)
Sensitivity	3 lux at 1/60 sec NTSC or 1/50 sec PAL	0.7 lux at 1/60 sec NTSC or 1/50 sec PAL; 0.05 lux at 1/4 sec NTSC or 1/3 sec PAL	3 lux at 1/60 sec NTSC or 1/50 sec PAL; 0.2 lux at 1/4 sec NTSC or 1/3 sec PAL	1 lux at 1/60 sec NTSC or 1/50 sec PAL; 0.07 lux at 1/4 sec NTSC or 1/3 sec PAL	1.4 lux at 1/60 sec NTSC or 1/50 sec PAL; 0.1 lux at 1/4 sec NTSC or 1/3 sec PAL
Sensitivity, ICR-off	N/A	0.01 lux at 1/4 sec NTSC or 1/3 sec PAL	0.02 lux at 1/4 sec NTSC or 1/3 sec PAL	0.01 lux at 1/4 sec NTSC or 1/3 sec PAL	0.01 lux at 1/4 sec NTSC or 1/3 sec PAL
Electronic Shutter Speed	1/60 to 1/30,000 sec, NTSC; 1/50 to 1/30,000 sec, PAL	1/4 to 1/10,000 sec, NTSC; 1/3 to 1/10,000 sec, PAL	1/60 to 1/30,000 sec, NTSC; 1/50 to 1/30,000 sec, PAL	1/4 to 1/10,000 sec, NTSC; 1/3 to 1/10,000 sec, PAL	1/4 to 1/10,000 sec, NTSC; 1/3 to 1/10,000 sec, PAL
Video Output	1.0 V p-p	1.0 V p-p	1.0 V p-p	1.0 V p-p	1.0 V p-p

Ordering Information

First, choose the CyberDome™ II housing, bubble, and camera that you want.



Then, choose mounting accessories from the list below.

GEA-102

Cast-aluminum wall-mount arm

- Weight: 2.0 lb. (0.91 kg)
- Material: Aluminum
- Finish: Gray



GEA-104

Parapet swing-arm mount

- Weight: 7.75 lb. (3.52kg)
- Material: Aluminum
- Finish: Gray powder coat

GEA-105

Corner-mount adapter

- Weight: 1.9 lb. (0.86 kg)
- Material: Aluminum
- Finish: Gray powder coat

GEA-106

Pole-mount adapter

- Weight: 14.4 oz. (408 g)
- Material: Aluminum
- Finish: Gray powder coat

GEA-107

Roof-mount adapter

- Weight: 1.2 lb. (0.54 kg)
- Material: Aluminum
- Finish: Gray powder coat

IDH-5200

Sun-shield for standard and rugged housings

- Dimensions: 10.75 in. (273 mm) x 7.51 in. (191 mm)
- Material: ABS plastic
- Finish: Gray powder coat

GEA-113

Ceiling panel

- Weight: 3.2 oz. (91 g)
- Material: Steel
- Finish: White enamel

GEA-114

T-bar support kit

- Weight: 6.4 oz. (181 g)
- Material: Steel
- Finish: Galvanized

Parapet-capping brackets

- Material: 0.25 in. aluminum
- Finish: Gray powder coat

GEA-108: Corner, narrow

- 6 to 12 in. (152 to 305 mm)
- Weight: 7 lb. (3.18 kg)

GEA-109: Corner, wide

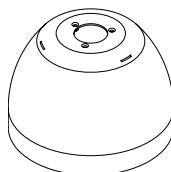
- 12 to 17 in. (305 to 432 mm)
- Weight: 8 lb. (3.63 kg)

GEA-110: Straight, narrow

- 6 to 12 in. (152 to 305 mm)
- Weight: 14 lb. (6.4 kg)

GEA-111: Straight, wide

- 12 to 17 in. (305 to 432 mm)
- Weight: 15 lb. (6.8 kg)



GE Security

North America
T 503-885-5700
T 888-GE-SECURITY
888-437-3287

Asia
T 852-2907-8108
F 852-2142-5063

Australia
T 61-3-9259-4700
F 61-3-9259-4799

Europe
T 32-2-725-11-20
F 32-2-721-40-47

Latin America
T 305-593-4301
F 305-593-4300

gesecurity.com

Specifications subject to change without notice.

© 2008 General Electric Company
All Rights Reserved



imagination at work